

REVO VM II PRO series

Hybrid Energy Storage Inverter

离网储能逆变器

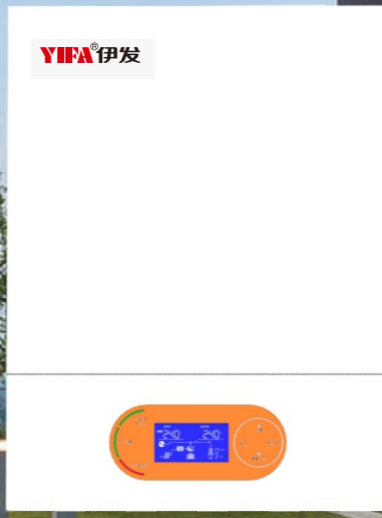
1.5/2.5/3.5/5.5KW

MPPT
Pure sine wave MPPT solar inverter
BUILT-IN 80/100A MPPT solar charger

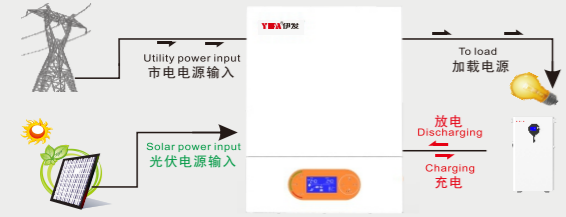
Battery 电池
Battery equalization function extend lifecycle
Reserved communication port (RS485,CAN) for BMS

Off-Grid 离网
REVO VM II Pro series is suitable for off-grid applications.

Easy access 轻松访问
High PV input voltage range
With touch buttons



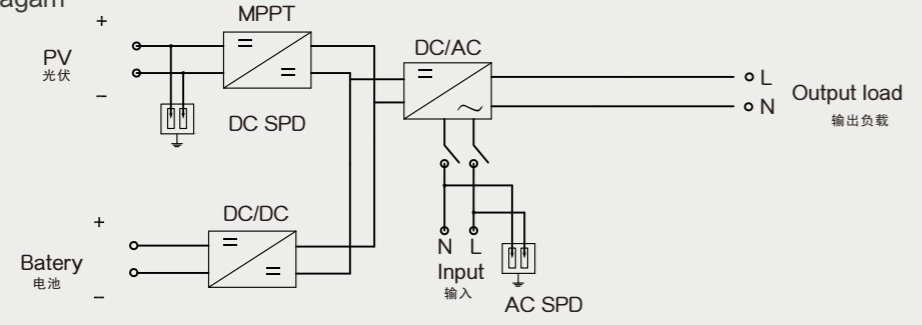
With battery connected 连接电池时



Without battery connected 未连接电池时



Schematic diagram 电路图



产品系列 Technical Specification	REVO VM II PRO			
Rated Power 额定功率	1500VA/1500W	2500VA/2500W	3500VA/3500W	5500VA/5500W
AC INPUT 输入				
Voltage 电压	230VAC			
Selectable Voltage Range 可选电压范围	170-280VAC(For Personal Computers) ; 90-280 VAC(For Home Appliances)			
Frequency Range 频率范围	50Hz/60 Hz (Auto sensing)			
AC OUTPUT 输出				
AC Voltage Regulation (Battery Mode) 交流电压调节 (电池模式)	230VAC ± 5%			
Surge Power 浪涌功率	3000VA	5000VA	7000VA	11000VA
Efficiency (peak) 效率 (峰值)	up to 93.5%			
Transfer Time 切换时间	10ms(For Personal Computers)20ms(For Home Appliances)			
Waveform 波形	Pure sine wave 纯正弦波			
BATTERY 电池				
Battery Voltage 电池电压	12VDC	24VDC	48VDC	
Floating Charge Voltage 浮动充电电压	13.5VDC	27VDC	54VDC	
Overcharge Protection 过度充电保护	16VDC	33VDC	63VDC	
SOLAR CHARGER & AC CHARGER 光伏充电器和交流充电器				
Maximum PV Array Open Circuit Voltage 最大光伏阵列开路电压	500VDC			
Maximum PV Array Power 最大光伏阵列功率	2000W	3000W	4500W	5500W
MPPT Range @ Operating Voltage 最大电压下MPPT范围	90~450VDC		60~450VDC	
Maximum Solar Charge Current 最大光伏充电电流	80A		100A	
Maximum AC Charge Current 最大交流充电电流	60A		80A	
Maximum Charge Current 最大充电电流	80A		100A	
Basic information 基本信息				
Operating Temperature 工作温度	-10°C to 50°C			
Relative humidity 湿度	5% to 95% Relative Humidity(Non-condensing)			
Dimensions D x W x H (mm) 尺寸	348*270*95		400*300*115	
Net Weight(KG) 重量	4	5	8.5	9
DISPLAY AND COMMUNICATION 显示与通讯				
Communication Interface 通信接口	Standard: Rs232; Optional:CAN&RS485			
Safety standard 安全标准	EN/IEC 62109-1,EN/IEC 62109-2			